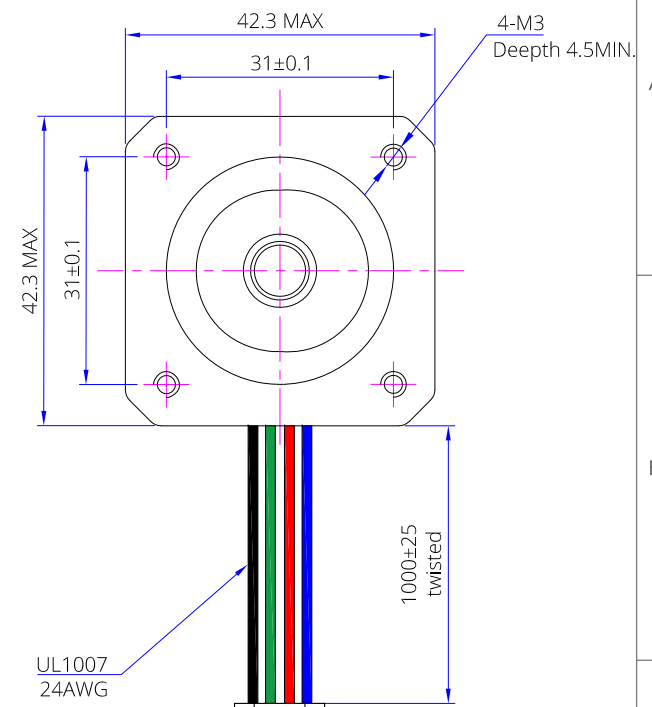
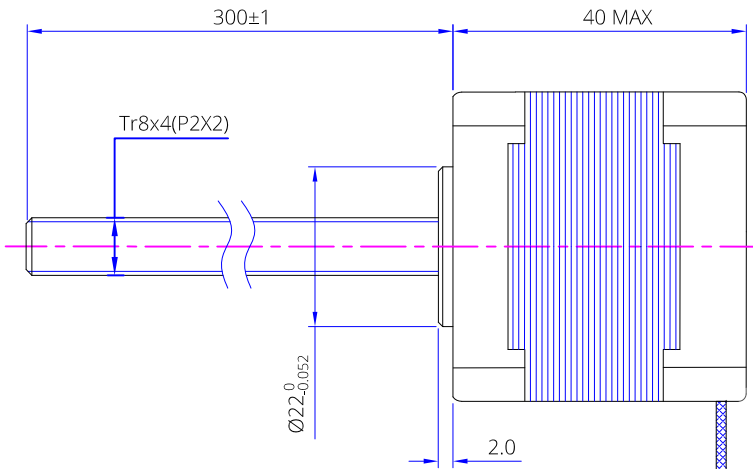
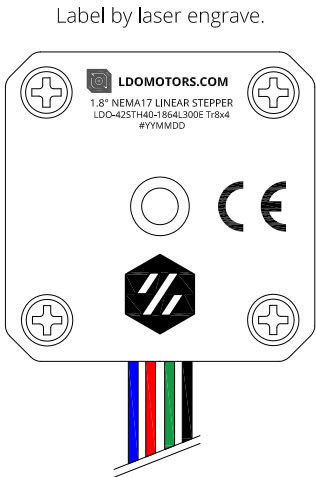
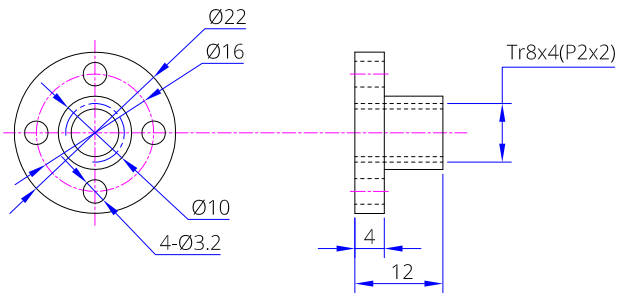


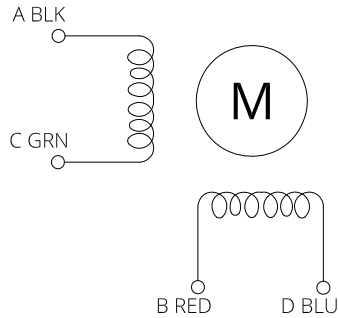
A



BRASS NUT  
 (No burrs, break all sharps)



Diagram



Connector: JST XHP-4,  
 or Equivalent.

C

Item	Specification	Item	Specification
Phase Number	2	Step Angle	1.8° ± 5%
Rated Voltage	DC 2.8V / Phase	Rated Current	DC 1.68A / Phase
Phase Resistance	1.65x(1±20%) Ω	Phase Inductance	4.1x(1±20%) mH
Holding Torque	450mN-m MIN	Detent Torque	15 mN-m REF.
Rotate Direction	ACBDA CW	Insulate Resistance	100Mohm(DC500V)
HI-POT	AC600V/1mA/1S	Insulation Class	Class B 130°C
Rotor Inertia	54 g-cm <sup>2</sup> REF	Weight	0.35 Kg REF

A		NEW RELEASE		Xu SD	J.B.	7/20/20
REV.	ECN NO.	DESCRIPTION		MADE BY	APPR. BY	DATE
		VIEW				
		SCALE	NA			
DRAWN BY		CHECKED BY	APPR. BY	DATE	FACTORY CODE	SHEET NO.
Xu SD		J.B.	J.B.	7/20/20		1/1

**LDO Motors Co., Ltd.**  
 Part NO. **NEMA17 Linear Stepper Motor LDO-42STH40-1684L300E(VRN)**

A

B

C

D