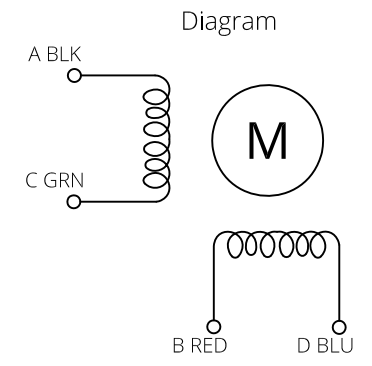
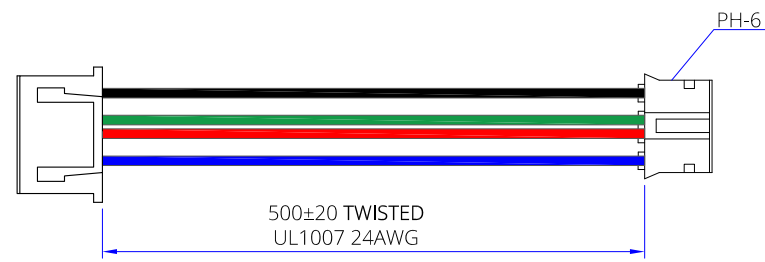


JST-XHP-4
male connector
Or Equivalent
(to driver)



*** For Voron Switchwire X/Y/Z Motor, 3pcs per printer.**

Item	Specification	Item	Specification
Phase Number	2	Step Angle	1.8° ± 5%
Rated Voltage	DC 2.8V / Phase	Rated Current	DC 1.68A / Phase
Phase Resistance	1.65x(1±20%) Ω	Phase Inductance	3.6x(1±20%) mH
Holding Torque	4.5 Kgf-cm(0.45Nm) MIN	Detent Torque	20 mN-m REF.
Rotation Direction	ACBDA CW	Insulation Resistance	100Mohm(DC500V)
HI-POT	AC600V/1mA/1S	Insulation Class	Class B 130°C
Rotor Inertia	53 g-cm ² REF	Weight	0.28 Kg REF

REV.	ECN NO.	DESCRIPTION	MADE BY	APPR. BY	DATE
A	---	NEW RELEASE	Xu SD	J.B.	8/10/20

	VIEW		LDO Motors Co., Ltd.		
	SCALE		Part NO. NEMA17 Stepper Motor LDO-425TH40-1684AC(VRN)		
DRAWN BY Xu SD	CHECKED BY J.B.	APPR. BY J.B.	DATE 8/10/20	FACTORY CODE	SHEET NO. 1/1